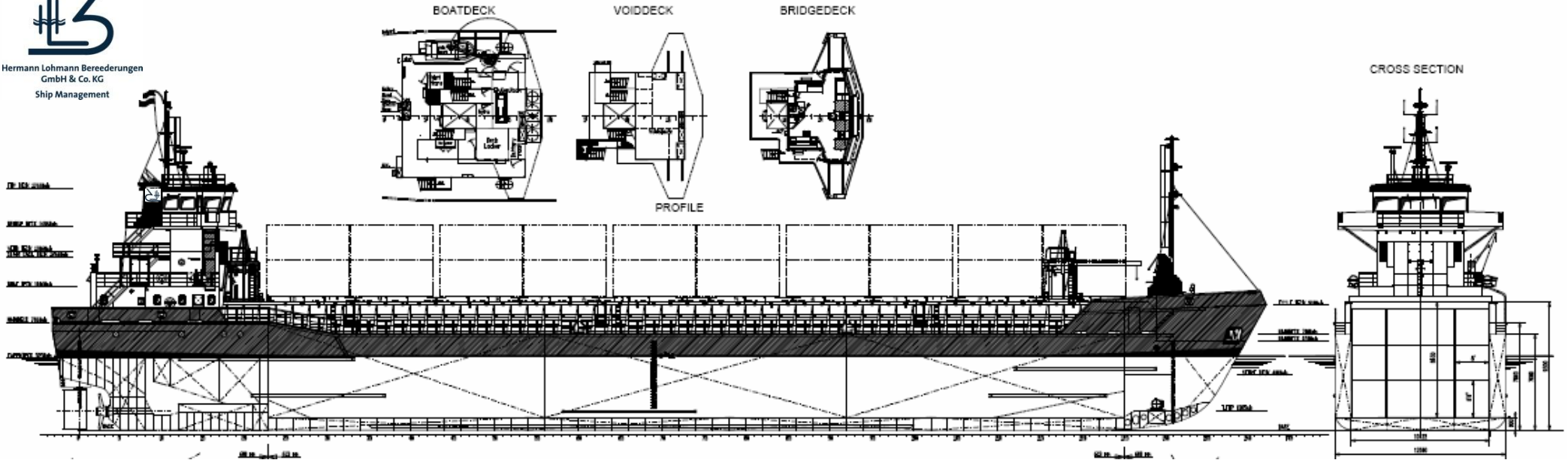




Hermann Lohmann Bereederungen
GmbH & Co. KG
Ship Management



Name Nataly (IMO 9370288) – A&B-Flag
Shipyards Damen Bergum
Built 2006
Type gearless singledecker
Classification GL + 100 A5 E G General Cargo Ship,
strengthened for heavy cargoes, equipped for
the carriage of container + MC AUT
SOLAS II-2 reg. 19

Main Dimensions

Length over all	88,60	m
Length between perpendiculars	84,99	m
Breadth moulded	12,50	m
Draught moulded	5,47	m
Air Draught (incl. draught)	24,80	m
Depth to maindeck moulded	7,00	m
Clear height in hold	8,43	m

Deadweight (about)

at 5,47m draught (summer)	3.864	tdw
at 5,35m draught (winter)	3.737	tdw

Measurement

GT/NT	2.545/1.460	
Service-Speed (bft 2, even keel)	11,00	knts

Main Engine

1 of Caterpillar Motoren, Kiel (FRG)		
MAK 8M20 - Rated power	1.520	kW

Propeller

1 x CPP		
RPM	1.000	

Consumption at sea MGO/day fully laden	5,50	mts
---	------	-----

Consumption in port MGO/day idle	0,40	mts
---	------	-----

Reduction gear

1 reverse reduction gear

Auxiliary engines

1 Diesel generator sets, SCANIA D9 175 kVa-50Hz
 1 Shaft generator 324 kVa
 1 emergency/harbour generator set type Valmet, 77 kVA-50Hz
 2 starting air compressors
 1 Fuel separator
 1 Fuel oil trim pump
 1 bilge water separator, acc. to MarPol regulations
 2 bilge/ballast pumps, each 150 m³/hr a 2,80 bar
 1 Fire Fighting pump
 1 sewage pump
 1 freshwater pressure set
 1 CO₂ Fire Fighting system for engine room and cargo hold

Bowthruster

1 x FPP type fishtail - Output	236kW
--------------------------------	-------

Tank capacities

Ballast approx	1.340,00 m ³
MGO approx	210,00 m ³
Potable water	55,00 m ³
Lubrication oil	8,60 m ³
Sewage	12,00 m ³
Dirty Oil	4,00 m ³
Sludge	4,00 m ³

Cargo capacity

Boxshaped hold narrowing fore and aft; see separate drawing
 Hold (grain) 5.250 m³/185.400 cbft
 Dimensions cargo hold lwxh 61,66x10,12x8,43 m
 Square meter capacity tanktop/hatch 15,00/1,60 mts

Steering Gear

Electrical hydraulic steering gear

Anchor and moving winches

1 electrical driven bow anchor winch with two warping heads
 1 electrical driven capstan aft

Deck layout

Rudder, fishtail type
 Container fittings on tanktop and on hatch covers
 Lashing eyes in hold and outside of coaming
 Moveable grain bulkhead (2 pcs) with six stowage positions

Weather deck hatch covers

Steel pontoon hatches with 1 gantry crane	
Dimensions approx	62,70x10,10 m

Air change elec. driven

6 times

Container intake

In hold	113 TEU
---------	---------

On hatch (in compliance with a sufficient visibility)	68 TEU
---	--------

Total	181 TEU
--------------	---------

Stack weights	tanktop TEU/FEU	60/75 mts
---------------	-----------------	-----------

Hatch TEU/FEU	23/40 mts
---------------	-----------

Communication equipment

According GMDSS for Area A3, eMail-Terminal

Accommodation

For Captain and Crew of a total 08 persons with heating, ventilation and air-conditioning

Details are given in good faith, believed to be correct, but without guarantee.
 All figures to read "about" and not to be used for T/C-descriptions Speed basis max.
 beaufort 2, no swell and no adverse currents. Any Days during which the vessel encounters conditions exceeding these weather conditions are expressly excluded regarding performance evaluation.